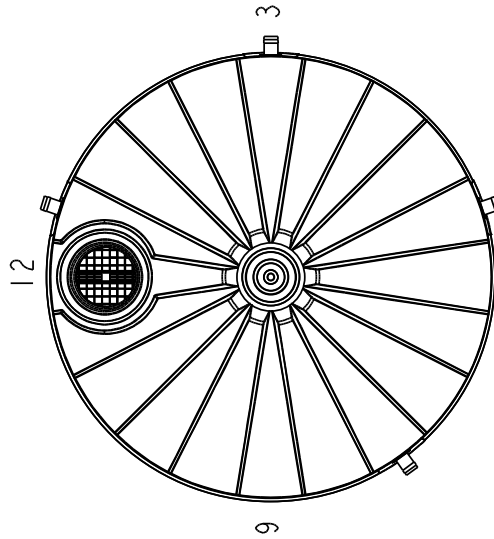
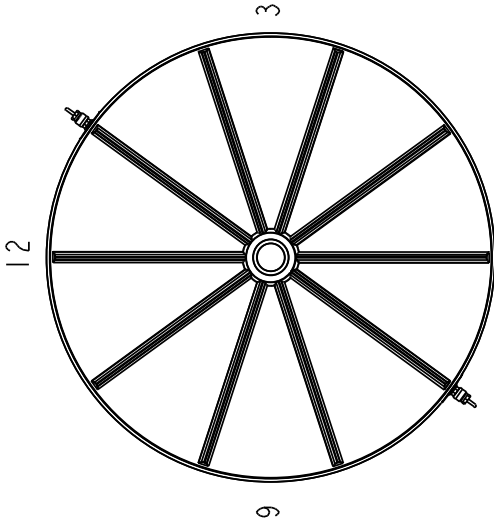
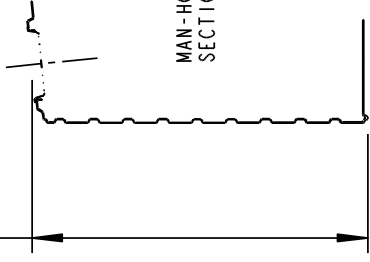
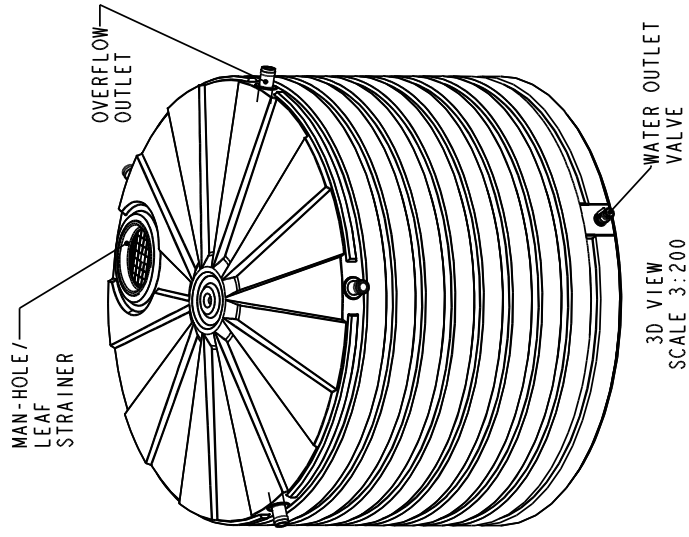


NOTES:
 1. CLOCK SYSTEM USED TO DESCRIBE
 OVERFLOW & OUTLET POSITIONS



6
 UNDERSIDE VIEW
 OPTIONAL WATER OUTLET POSITIONS
 SCALE 3:200

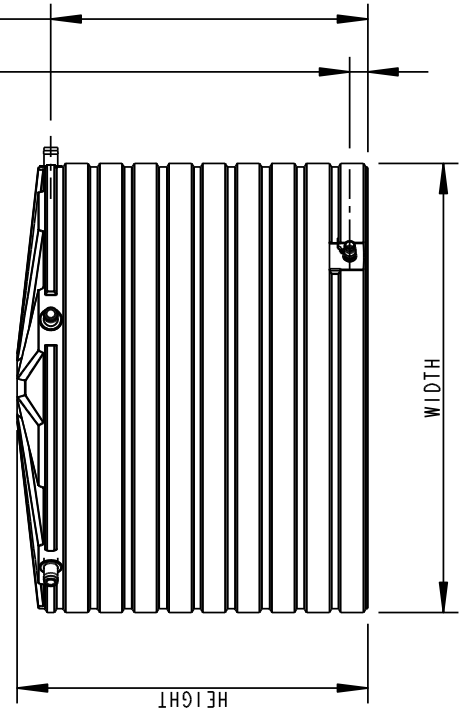
6
 TOP VIEW
 OPTIONAL OVERFLOW PIPE POSITIONS
 SCALE 3:200



MAN-HOLE/LEAF STRAINER
 SECTION VIEW

3D VIEW
 SCALE 3:200

STRAINER Ht 2220mm
 OVERFLOW Ht 2100mm
 OUTLET Ht 120mm



HEIGHT (mm)	2440	VOLUME (ltr)	15064	No. OUTLET POS.	2	No. OVERFLOW POS.	4
WIDTH (mm)	3040						



BUSHMANS GROUP PTY LTD
 391 PARK ROAD, UNIT Q3, REGENTS PARK 2143.
 Ph 02 97388277 Fax 02 97389763

Copyright 2005 Bushmans Group Pty Ltd.
 All rights reserved. This drawing may not
 be reproduced or transmitted in any form or
 by any means in part or whole without written
 permission of Bushmans Group Pty Ltd.

Drawing Title

T3300 SCHEMATIC

LLDPE

20/06/05

A CORKERY

A4 Size Drawing

Sheet 1 of 1