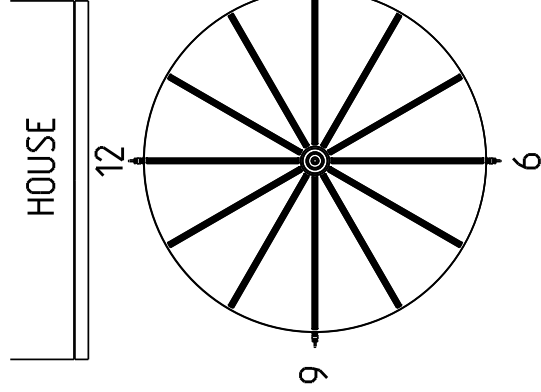
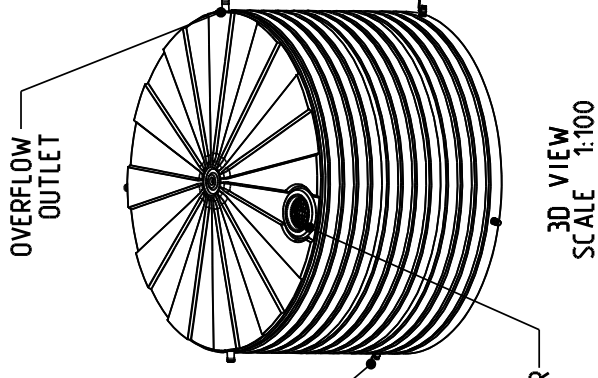


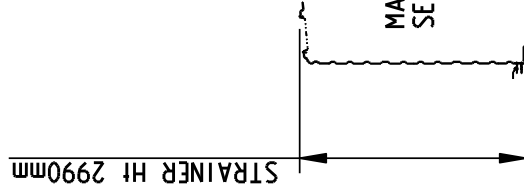
NOTES:
1. CLOCK SYSTEM USED TO DESCRIBE OVERFLOW & OUTLET POSITIONS



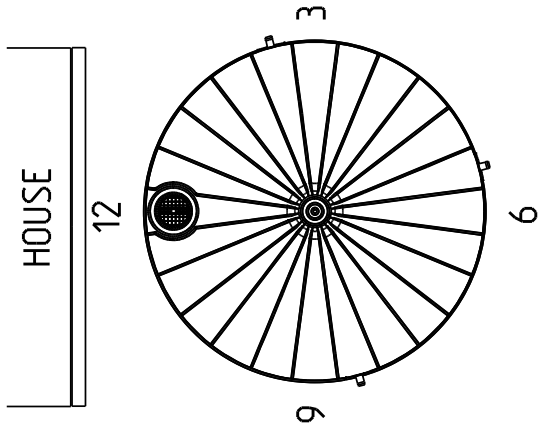
UNDERSIDE VIEW
OPTIONAL WATER OUTLET POSITIONS
SCALE 1:100



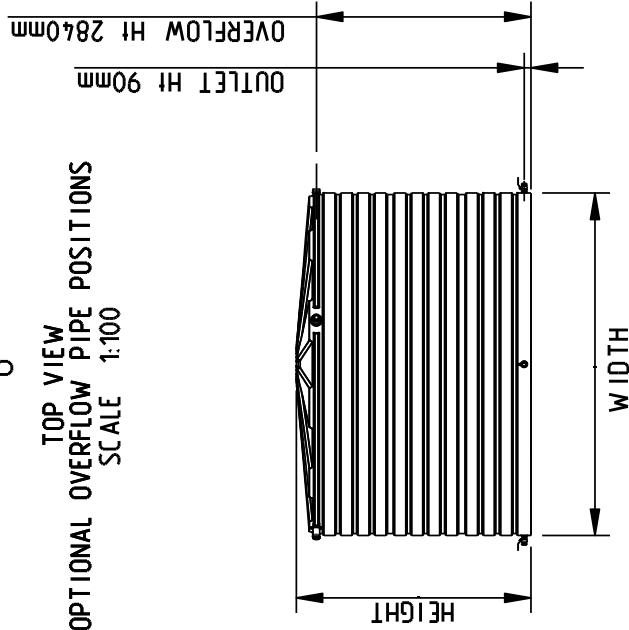
3D VIEW
SCALE 1:100



MAN-HOLE/LEAF-STRAINER
SECTION VIEW



TOP VIEW
OPTIONAL OVERFLOW PIPE POSITIONS
SCALE 1:100



HEIGHT(mm)	WIDTH(mm)	VOLUME(ltr)	No. OUTLET POS.	No. OVERFLOW POS.
3160	4600	47950	4	3



BUSHMANS GROUP PTY LTD
391 PARK ROAD, UNIT Q3, REGENTS PARK 2143.
Ph 02 97388277 Fax 02 97389763

Copyright 2005 Bushmans Group Pty Ltd.
All rights reserved. This drawing may not be reproduced or transmitted in any form or by any means in part or whole without written permission of Bushmans Group Pty Ltd.

N. LABROSSE

19-05-2005

LLDPE

Drawing Title

T10500 SCHEMATIC

A4 Size Drawing

Sheet 1 of 1 T10500_TANK_ASSY_V001.ASM