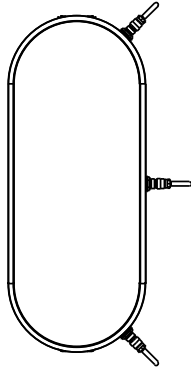
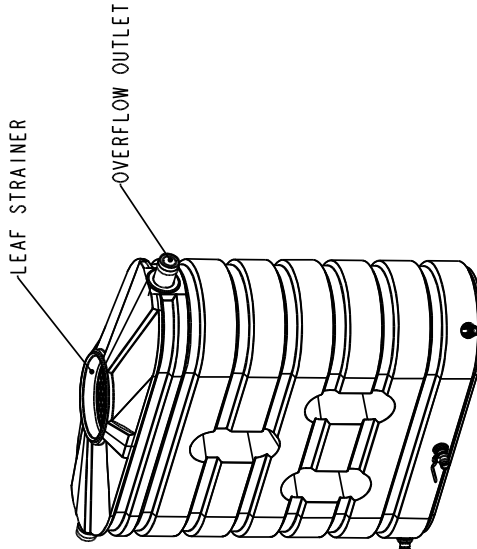
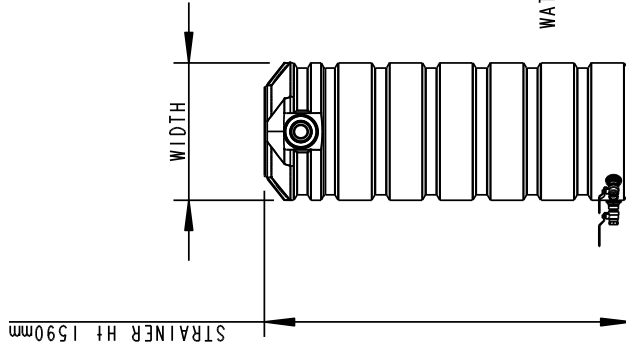
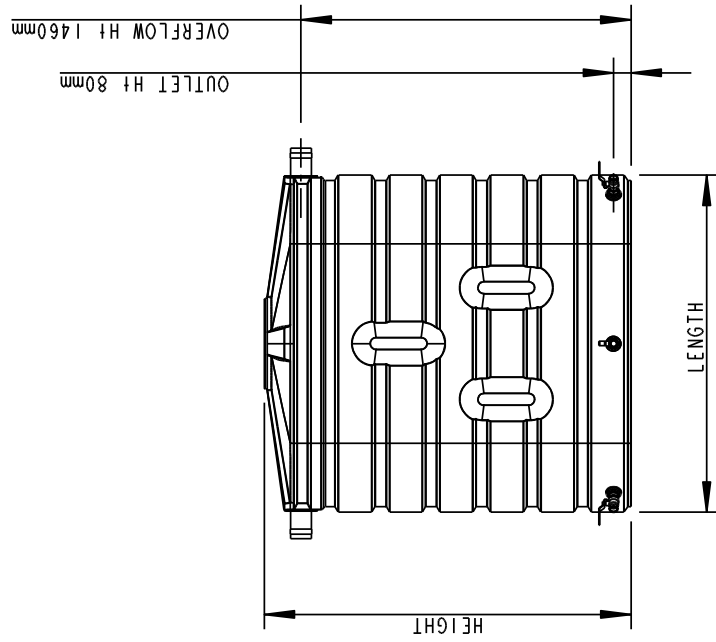


TOP VIEW
OPTIONAL OVERFLOW PIPE POSITIONS
SCALE 1:33



UNDERSIDE VIEW
OPTIONAL WATER OUTLET POSITIONS
SCALE 1:33



3D VIEW
SCALE 1:33

HEIGHT (mm)	WIDTH (mm)	LENGTH (mm)	VOLUME (ltr)	No. OUTLET POS.	No. OVERFLOW POS.
1580	600	1480	1072	3	2



BUSHMANS GROUP PTY LTD
391 PARK ROAD, UNIT Q3, REGENTS PARK 2143.
Ph 02 97388277 Fax 02 97389763

Copyright 2005 Bushmans Group Pty Ltd.
All rights reserved. This drawing may not
be reproduced or transmitted in any form or
by any means in part or whole without written
permission of Bushmans Group Pty Ltd.

A CORKERY

16/06/2005

LLDPE

T230 SLIM SCHEMATIC

Drawing Title

A4 Size Drawing

Sheet 1 of 1