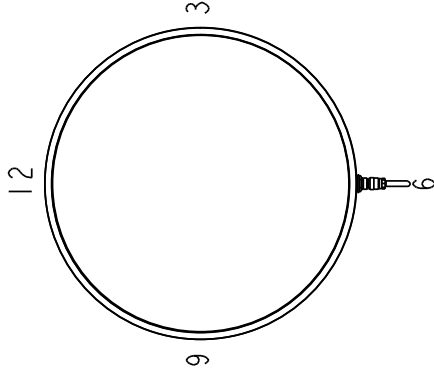
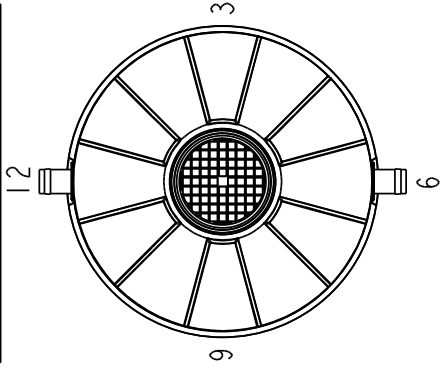


NOTES:
 1. CLOCK SYSTEM USED TO DESCRIBE
 OVERFLOW & OUTLET POSITIONS



UNDERSIDE VIEW
 OPTIONAL WATER OUTLET POSITIONS
 SCALE 7:200

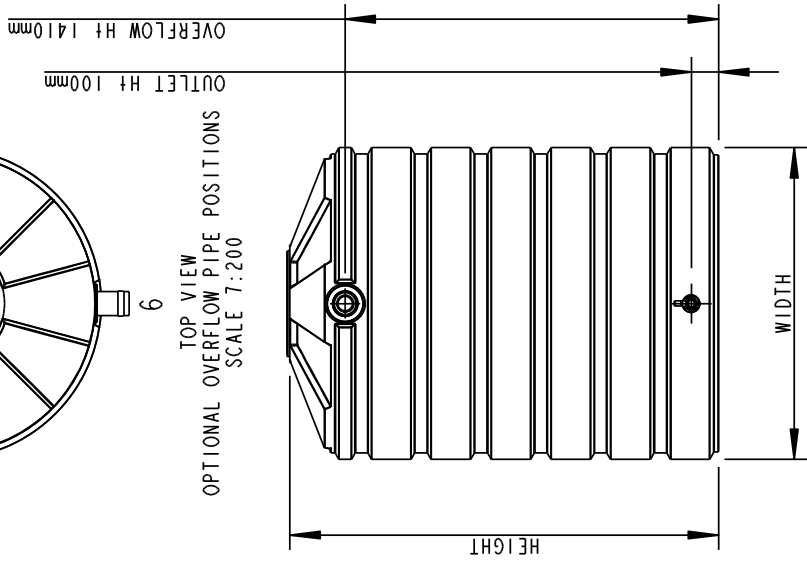
STRAINER HT 1620mm



TOP VIEW
 OPTIONAL OVERFLOW PIPE POSITIONS
 SCALE 7:200

OVERFLOW HT 1410mm

OUTLET HT 100mm



3D VIEW
 SCALE 7:200

LEAF STRAINER

OVERFLOW
 OUTLET

WATER
 OUTLET

HEIGHT (mm)	WIDTH (mm)	VOLUME (ltr)	No. OUTLET POS.	No. OVERFLOW POS.
1610	1170	1615	1	2



BUSHMANS GROUP PTY LTD
 391 PARK ROAD, UNIT Q3, REGENTS PARK 2143.
 Ph 02 97388277 Fax 02 97389763

Copyright 2005 Bushmans Group Pty Ltd.
 All rights reserved. This drawing may not
 be reproduced or transmitted in any form or
 by any means in part or whole without written
 permission of Bushmans Group Pty Ltd.

Drawing Title

T350 SCHEMATIC

LLDPE

21/06/2005

A CORKERY

A4 Size Drawing

Sheet 1 of 1