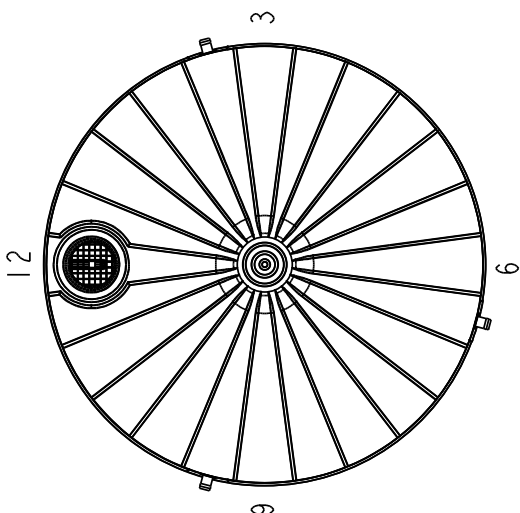
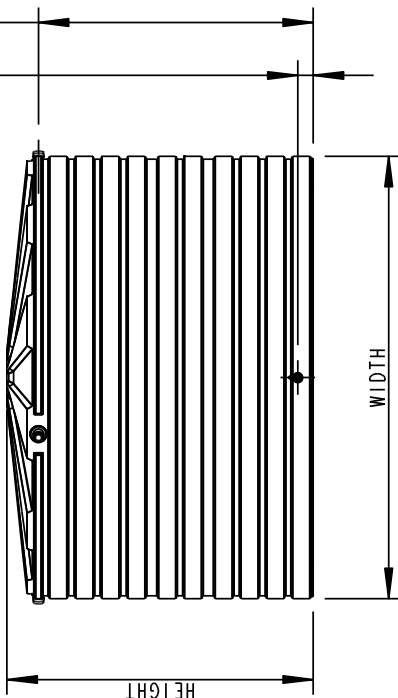


NOTES:  
1. CLOCK SYSTEM USED TO DESCRIBE OVERFLOW & OUTLET POSITIONS

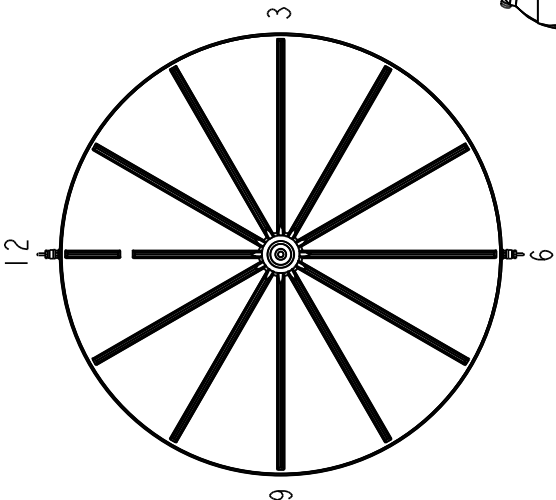
HOUSE



OVERFLOW HT 2420mm  
OUTLET HT 130 mm

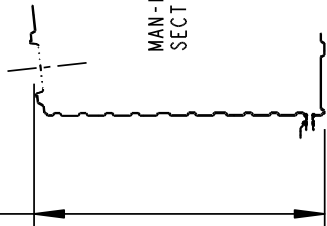


HOUSE



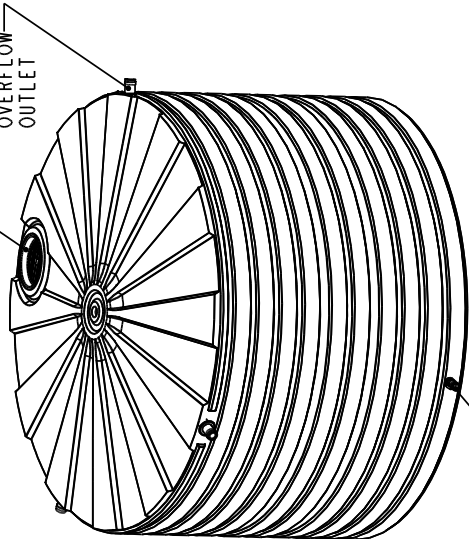
UNDERSIDE VIEW  
OPTIONAL WATER OUTLET POSITIONS  
SCALE 3:200

STRAINER HT 2560mm



MAN-HOLE/LEAF STRAINER

OVERFLOW  
OUTLET



WATER OUTLET VALVE  
3D VIEW  
SCALE 3:200

HEIGHT (mm)	WIDTH (mm)	VOLUME (ltr)	No. OUTLET POS.	No. OVERFLOW POS.
2650	3920	29560	2	3



**BUSHMANS GROUP PTY LTD**  
391 PARK ROAD, UNIT Q3, REGENTS PARK 2143.  
Ph 02 97388277 Fax 02 97389763

Copyright 2005 Bushmans Group Pty Ltd.  
All rights reserved. This drawing may not be reproduced or transmitted in any form or by any means in part or whole without written permission of Bushmans Group Pty Ltd.

A CORKERY

20/06/2005

LLDPE

T6500

SCHEMATIC

Drawing Title

A4 Size Drawing

Sheet 1 of 1