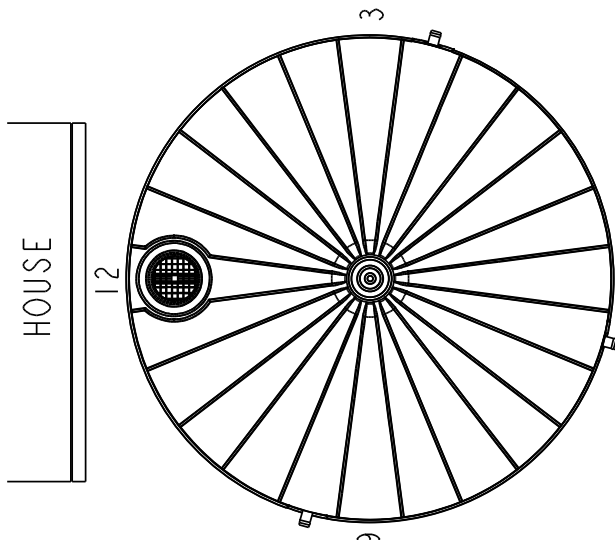
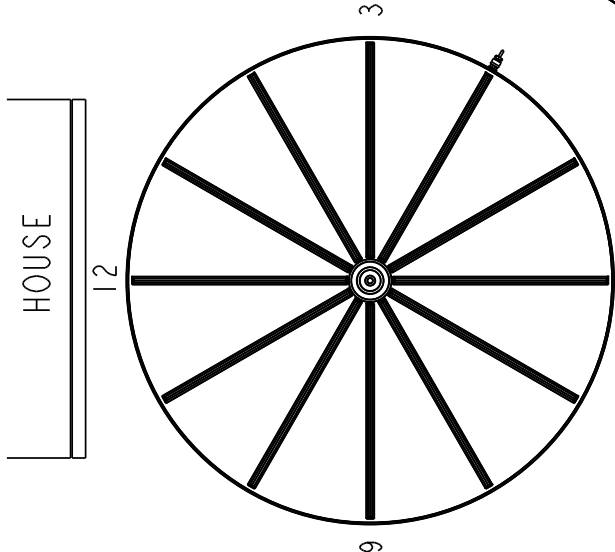


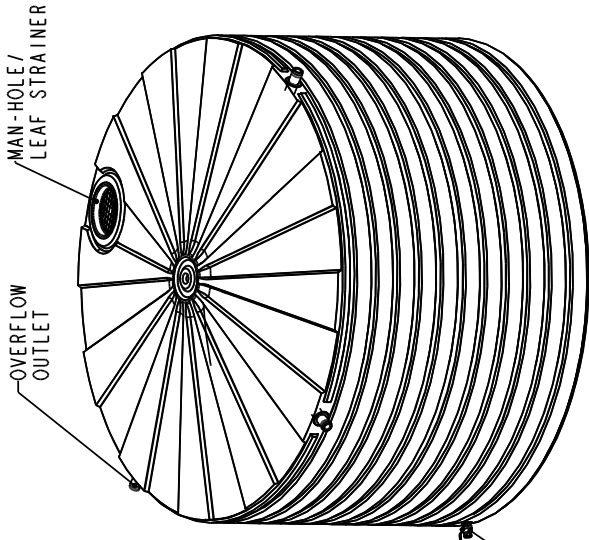
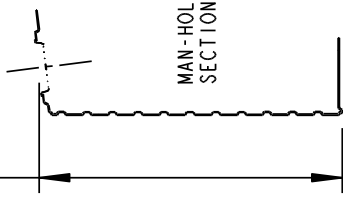
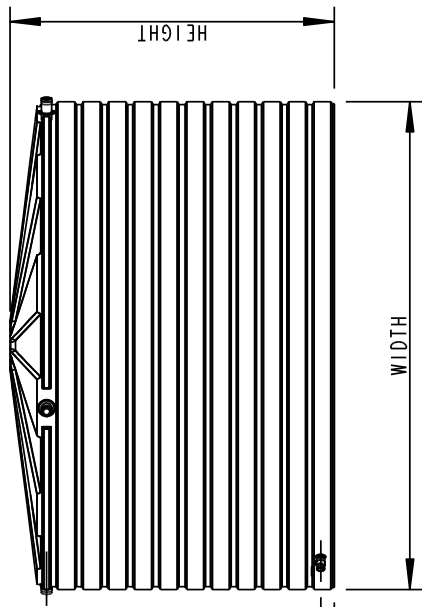
NOTES:  
 1. CLOCK SYSTEM USED TO DESCRIBE  
 OVERFLOW & OUTLET POSITIONS



OVERFLOW Ht 2540mm  
 OUTLET Ht 120mm



UNDERSIDE VIEW  
 OPTIONAL WATER OUTLET POSITIONS  
 SCALE 3:200



3D VIEW  
 SCALE 3:200

HEIGHT (mm)	WIDTH (mm)	VOLUME (ltr)	No. OUTLET POS.	No. OVERFLOW POS.
2820	4370	38334	1	3



**BUSHMANS GROUP PTY LTD**  
 391 PARK ROAD, UNIT Q3, REGENTS PARK 2143.  
 Ph 02 97388277 Fax 02 97389763

Copyright 2005 Bushmans Group Pty Ltd.  
 All rights reserved. This drawing may not  
 be reproduced or transmitted in any form or  
 by any means in part or whole without written  
 permission of Bushmans Group Pty Ltd.

A CORKERY  
 24/06/2005  
 LLDPE

T8400  
 SCHEMATIC  
 A4 Size Drawing  
 Sheet 1 of 1