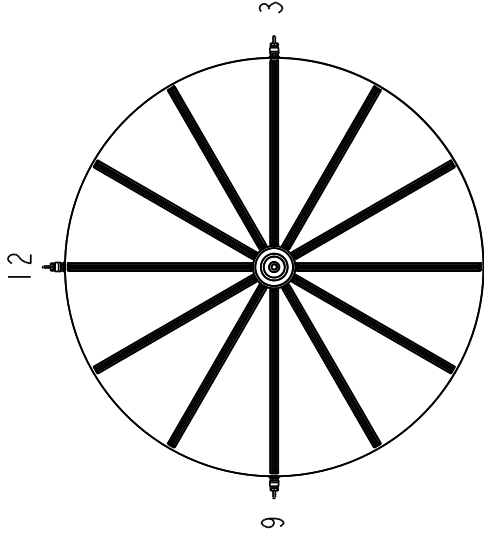
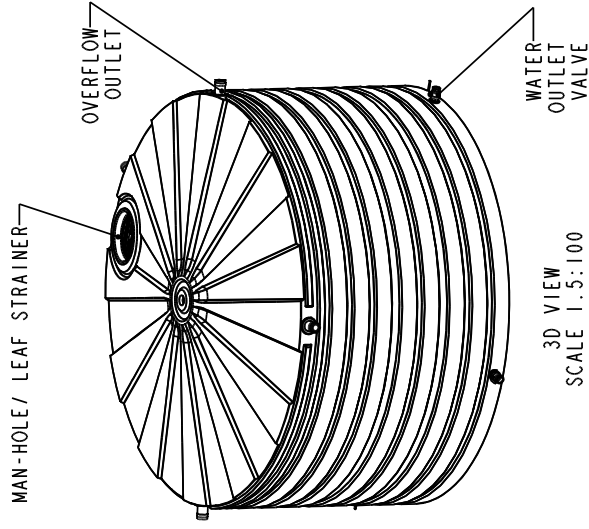


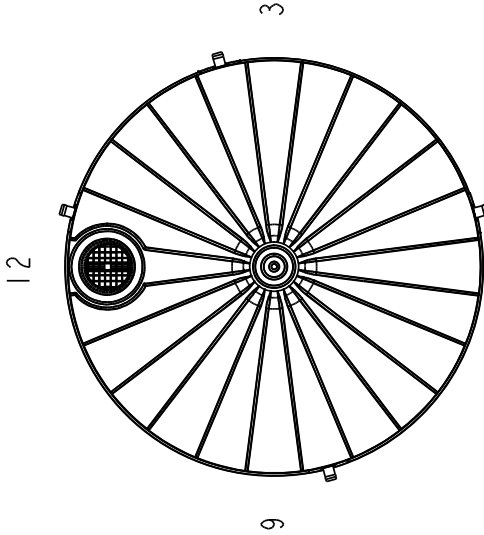
NOTES:  
 1. CLOCK SYSTEM USED TO DESCRIBE  
 OVERFLOW & OUTLET POSITIONS



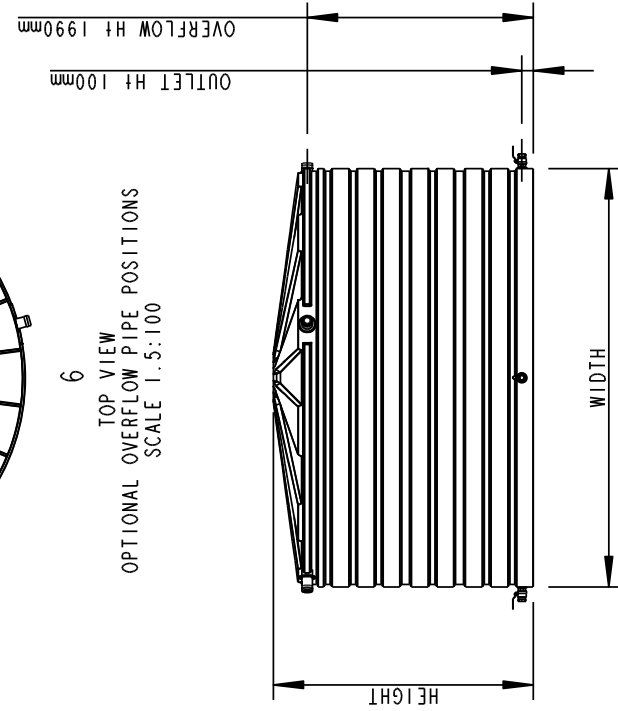
UNDERSIDE VIEW  
 OPTIONAL WATER OUTLET POSITIONS  
 SCALE 1.5:100



3D VIEW  
 SCALE 1.5:100



TOP VIEW  
 OPTIONAL OVERFLOW PIPE POSITIONS  
 SCALE 1.5:100



STRAINER HT 2130mm

MAN-HOLE / LEAF-STRAINER  
 SECTION VIEW

HEIGHT (mm)	WIDTH (mm)	VOLUME (ltr)	No. OUTLET POS.	No. OVERFLOW POS.
2440	3730	22500	4	4



**BUSHMANS GROUP PTY LTD**  
 391 PARK ROAD, UNIT Q3, REGENTS PARK 2143.  
 Ph 02 97388277 Fax 02 97389763

Copyright 2005 Bushmans Group Pty Ltd.  
 All rights reserved. This drawing may not  
 be reproduced or transmitted in any form or  
 by any means in part or whole without written  
 permission of Bushmans Group Pty Ltd.

A Corkery

17/06/2005

LLDPE

TS5000 SCHEMATIC

Drawing Title

A4 Size Drawing

Sheet 1 of 1