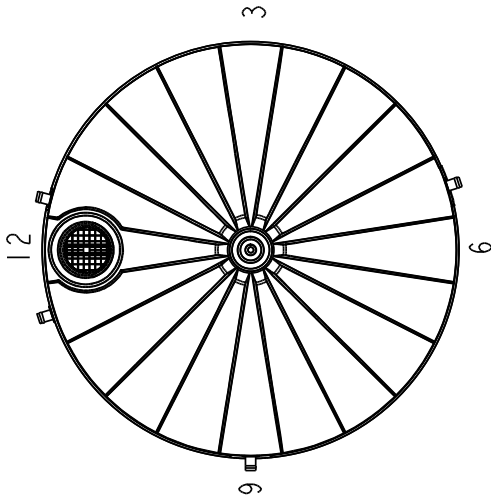
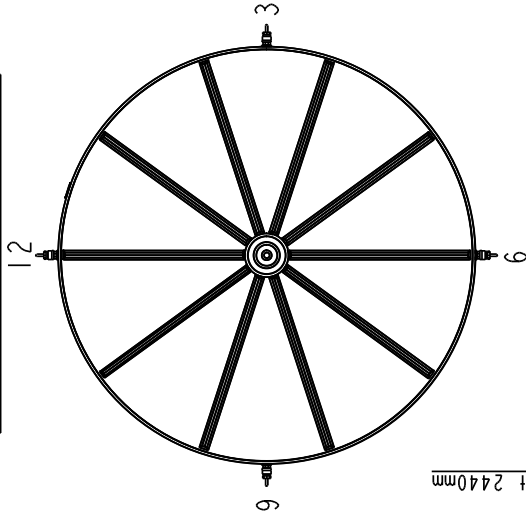
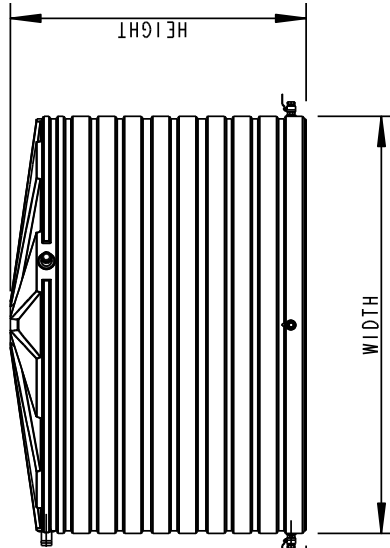


NOTES:
 1. CLOCK SYSTEM USED TO DESCRIBE
 OVERFLOW & OUTLET POSITIONS



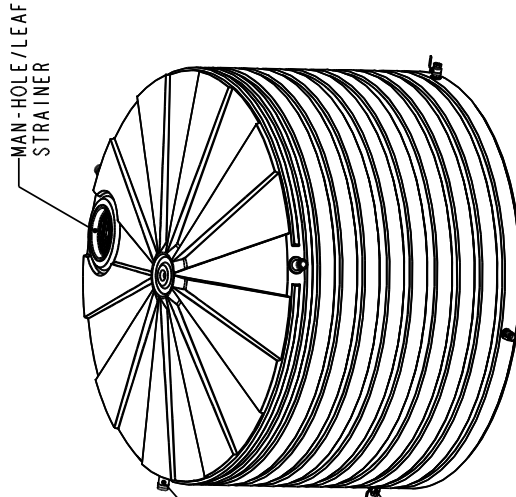
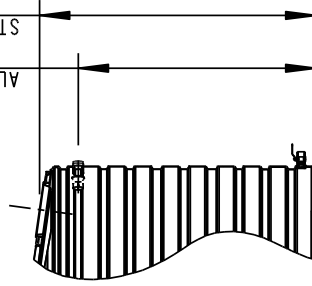
TOP VIEW
 OPTIONAL OVERFLOW PIPE POSITIONS
 SCALE 3:200

OVERFLOW Ht 2290mm
 OUTLET Ht 130mm



UNDERSIDE VIEW
 OPTIONAL WATER OUTLET POSITIONS
 SCALE 3:200

ALT. OVERFLOW Ht 2100mm
 STRAINER Ht 2440mm



3D VIEW
 SCALE 3:200

HEIGHT (mm)	WIDTH (mm)	VOLUME (ltr)	No. OUTLET POS.	No. OVERFLOW POS.
2550	3730	25090	4	4



BUSHMANS GROUP PTY LTD
 391 PARK ROAD, UNIT Q3, REGENTS PARK 2143.
 Ph 02 97388277 Fax 02 97389763

Copyright 2005 Bushmans Group Pty Ltd.
 All rights reserved. This drawing may not
 be reproduced or transmitted in any form or
 by any means in part or whole without written
 permission of Bushmans Group Pty Ltd.

Drawing Title

A CORKERY

24/06/2005

LLDPE

TS5500 SCHEMATIC

A4 Size Drawing

Sheet 1 of 1