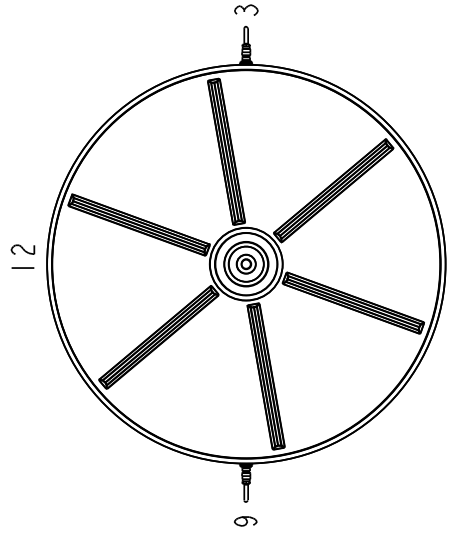
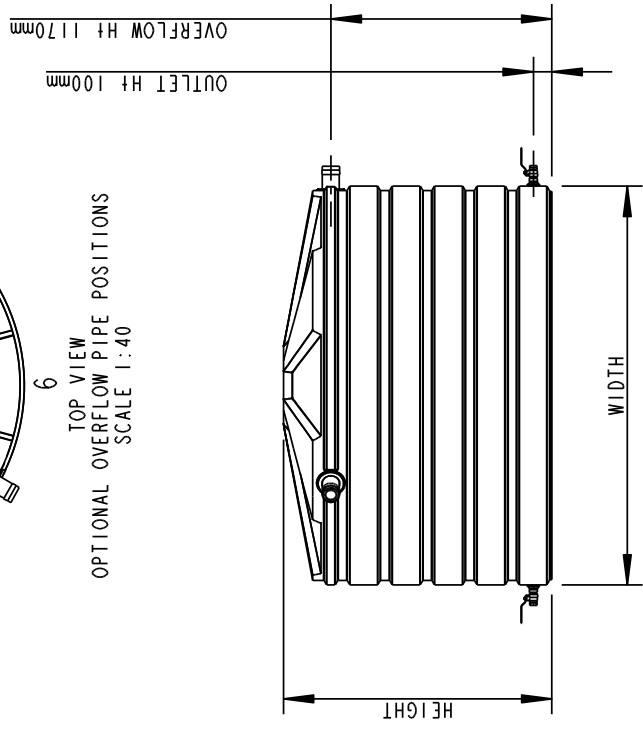


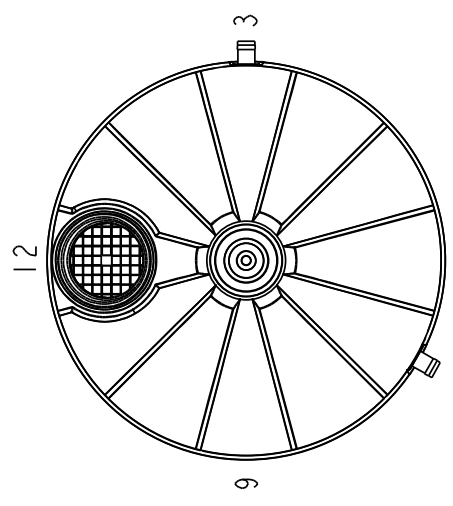
NOTES:
1. CLOCK SYSTEM USED TO DESCRIBE
OVERFLOW & OUTLET POSITIONS



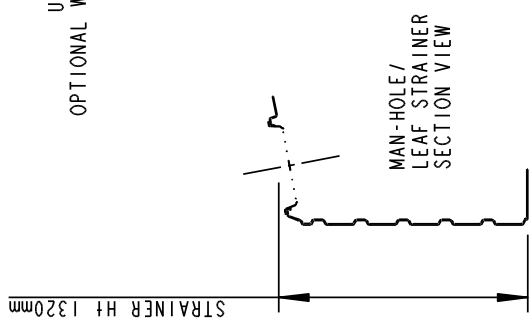
TOP VIEW
OPTIONAL OVERFLOW PIPE POSITIONS
SCALE 1:40



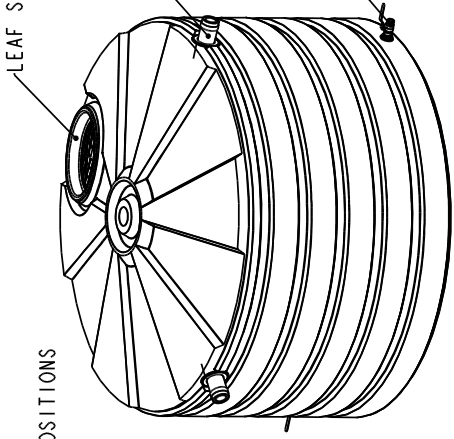
3D VIEW
SCALE 1:40



UNDERSIDE VIEW
OPTIONAL WATER OUTLET POSITIONS
SCALE 1:40



MAN-HOLE/
LEAF STRAINER
SECTION VIEW



3D VIEW
SCALE 1:40

HEIGHT (mm)	WIDTH (mm)	VOLUME (ltr)	No. OUTLET POS.	No. OVERFLOW POS.
1370	2150	4125	2	2



BUSHMANS GROUP PTY LTD
391 PARK ROAD, UNIT Q3, REGENTS PARK 2143.
Ph 02 97388277 Fax 02 97389763

Copyright 2005 Bushmans Group Pty Ltd.
All rights reserved. This drawing may not
be reproduced or transmitted in any form or
by any means in part or whole without written
permission of Bushmans Group Pty Ltd.

A CORKERY

22/06/2005

LLDPE

TS910 SCHEMATIC

Drawing Title
A4 Size Drawing