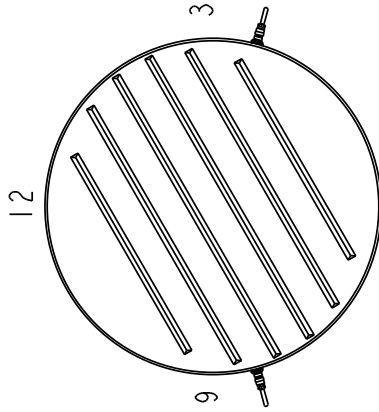
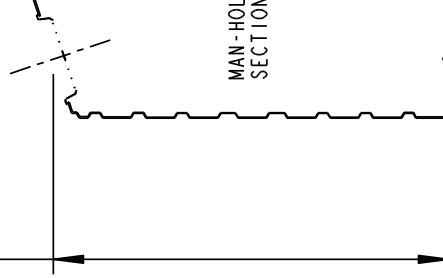


NOTES:
1. CLOCK SYSTEM USED TO DESCRIBE
OVERFLOW & OUTLET POSITIONS



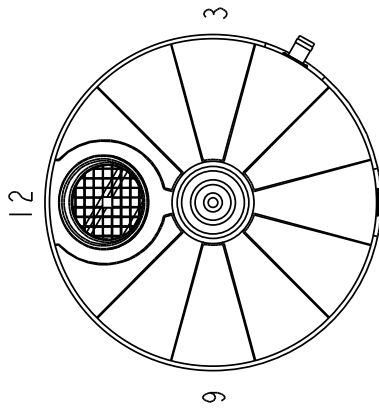
UNDERSIDE VIEW
OPTIONAL WATER OUTLET POSITIONS
SCALE 1:25

STRAINER HT 2090mm

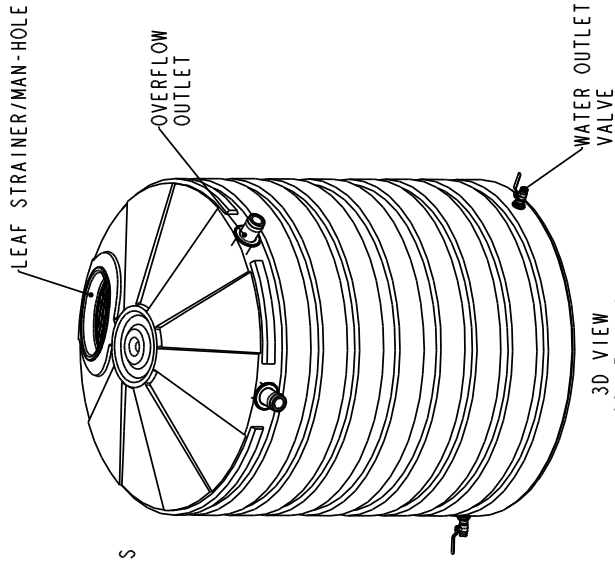
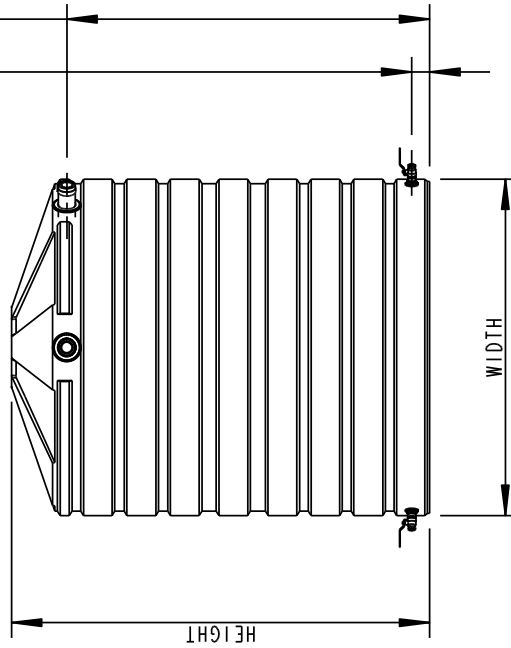


MAN-HOLE/LEAF STRAINER
SECTION VIEW

OVERFLOW HT 1920mm
OUTLET HT 100mm



TOP VIEW
OPTIONAL OVERFLOW PIPE POSITIONS
SCALE 1:40



3D VIEW
SCALE 1:40

HEIGHT (mm)	WIDTH (mm)	VOLUME (ltr)	No. OUTLET POS.	No. OVERFLOW POS.
2200	1830	5011	2	2



BUSHMANS GROUP PTY LTD
391 PARK ROAD, UNIT Q3, REGENTS PARK 2143.
Ph 02 97388277 Fax 02 97389763

Copyright 2005 Bushmans Group Pty Ltd.
All rights reserved. This drawing may not
be reproduced or transmitted in any form or
by any means in part or whole without written
permission of Bushmans Group Pty Ltd.

Drawing Title

TT1100 SCHEMATIC

22/06/2005

A CORKERY

LLDPE

A4 Size Drawing

Sheet 1 of 1