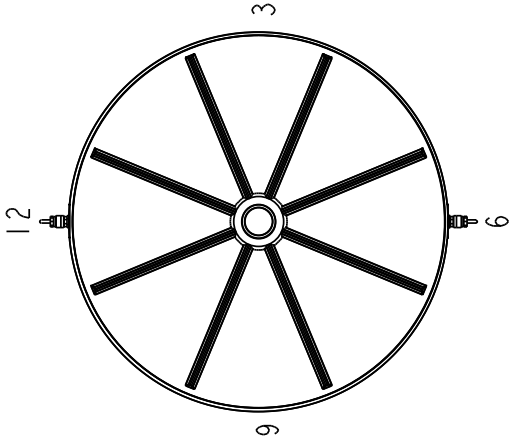
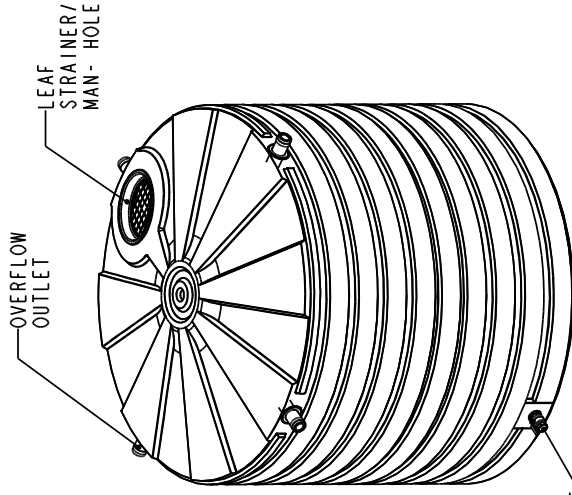


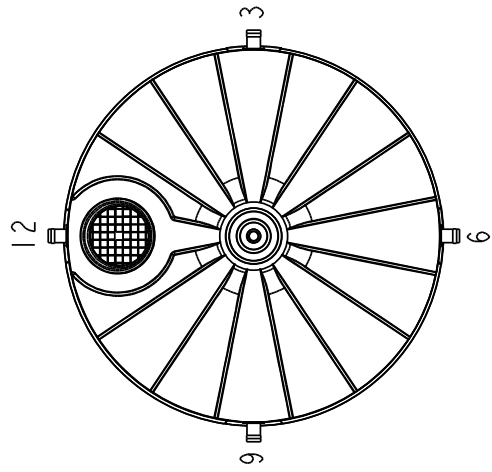
NOTES:
 1. CLOCK SYSTEM USED TO DESCRIBE
 OVERFLOW & OUTLET POSITIONS



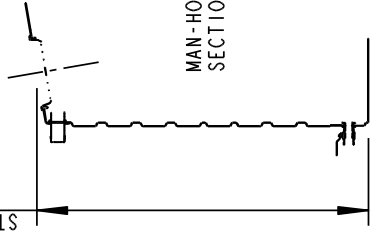
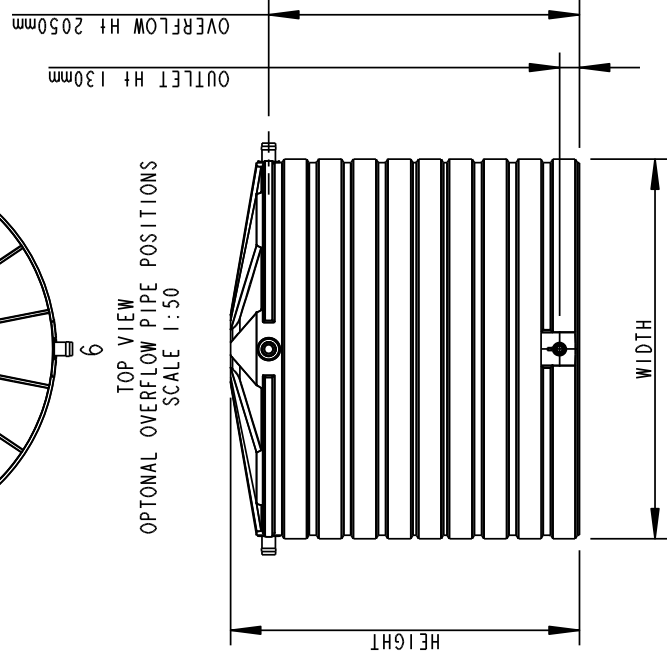
UNDERSIDE VIEW
 OPTIONAL WATER OUTLET POSITIONS
 SCALE 1:50



3D VIEW
 SCALE 1:50



TOP VIEW
 OPTIONAL OVERFLOW PIPE POSITIONS
 SCALE 1:50



MAN-HOLE/LEAF STRAINER
 SECTION VIEW

HEIGHT (mm)	WIDTH (mm)	VOLUME (ltr)	No. OUTLET POS.	No. OVERFLOW POS.
2310	2590	10478	2	4



BUSHMANS GROUP PTY LTD
 391 PARK ROAD, UNIT Q3, REGENTS PARK 2143.
 Ph 02 97388277 Fax 02 97389763

Copyright 2005 Bushmans Group Pty Ltd.
 All rights reserved. This drawing may not
 be reproduced or transmitted in any form or
 by any means in part or whole without written
 permission of Bushmans Group Pty Ltd.

A CORKERY
 23/06/2005
 LLDPE

TT2300 SCHEMATIC
 A4 Size Drawing
 Sheet 1 of 1