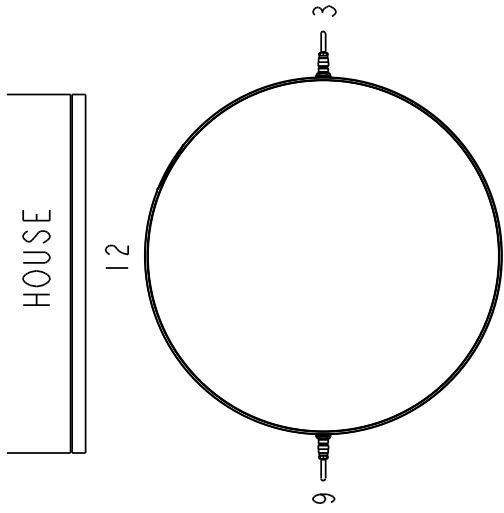
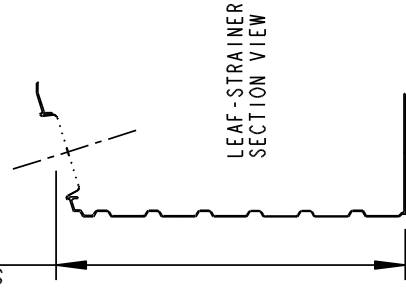


NOTES:
 1. CLOCK SYSTEM USED TO DESCRIBE
 OVERFLOW & OUTLET POSITIONS

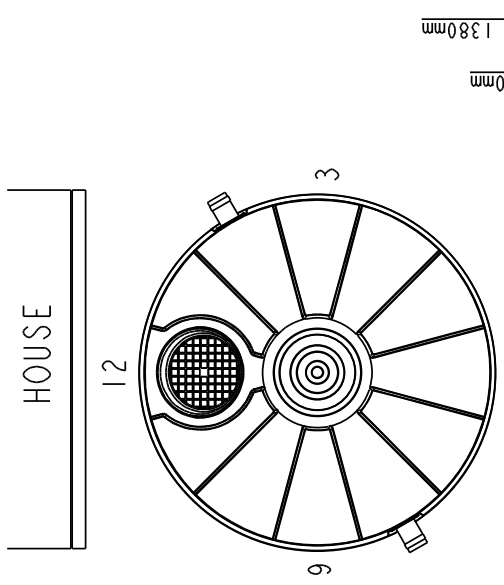


UNDERSIDE VIEW
 OPTIONAL WATER OUTLET POSITIONS
 SCALE 1:33

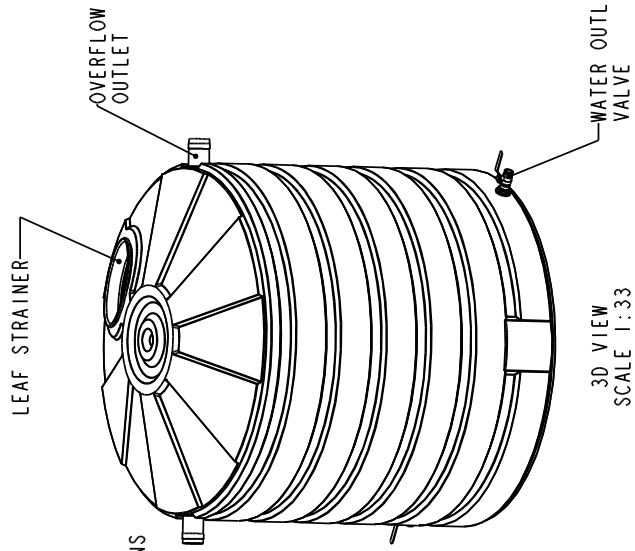
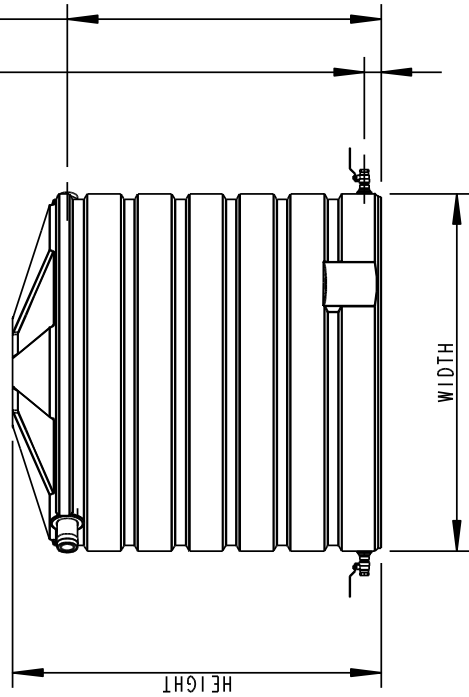
STRAINER HT 1540mm



OUTLET HT 80mm
 OVERFLOW HT 1380mm



TOP VIEW
 OPTIONAL OVERFLOW PIPE POSITIONS
 SCALE 1:33



HEIGHT (mm)	WIDTH (mm)	VOLUME (ltr)	No. OUTLET POS.	No. OVERFLOW POS.
1680	1520	2542	2	2



BUSHMANS GROUP PTY LTD
 391 PARK ROAD, UNIT Q3, REGENTS PARK 2143.
 Ph 02 97388277 Fax 02 97389763

Copyright 2005 Bushmans Group Pty Ltd.
 All rights reserved. This drawing may not
 be reproduced or transmitted in any form or
 by any means in part or whole without written
 permission of Bushmans Group Pty Ltd.

A CORKERY

17/06/2005

LLDPE

TT560

SCHEMATIC

Drawing Title